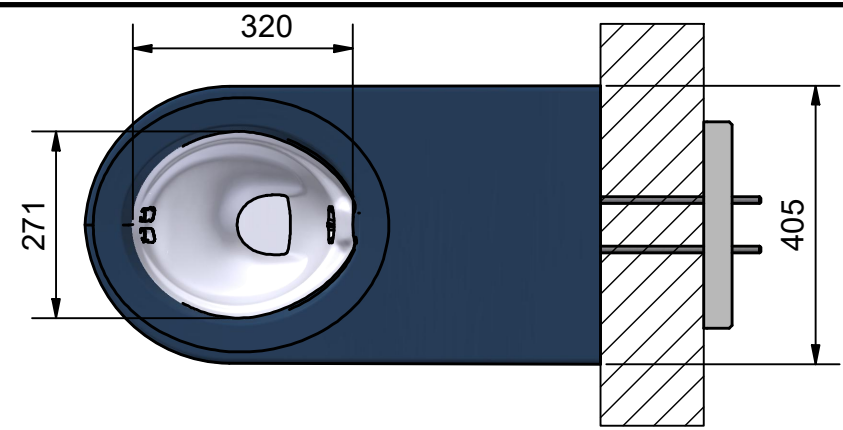
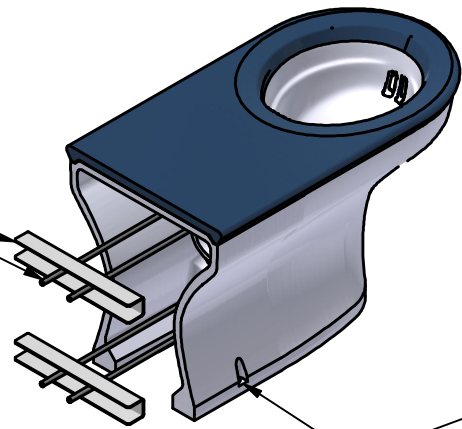




REVISION HISTORY				
REV	DATE	DESCRIPTION	BY	CHKD
2	09/06/2022	ECN2022-0264	BS	RD



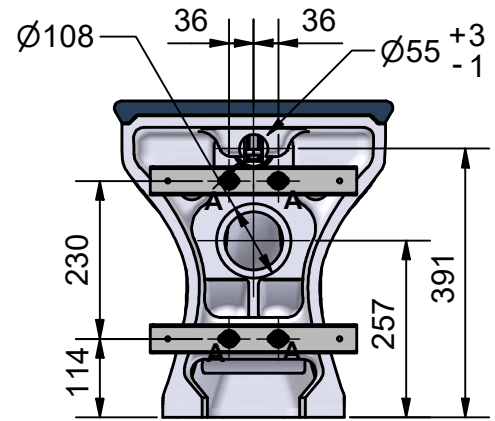
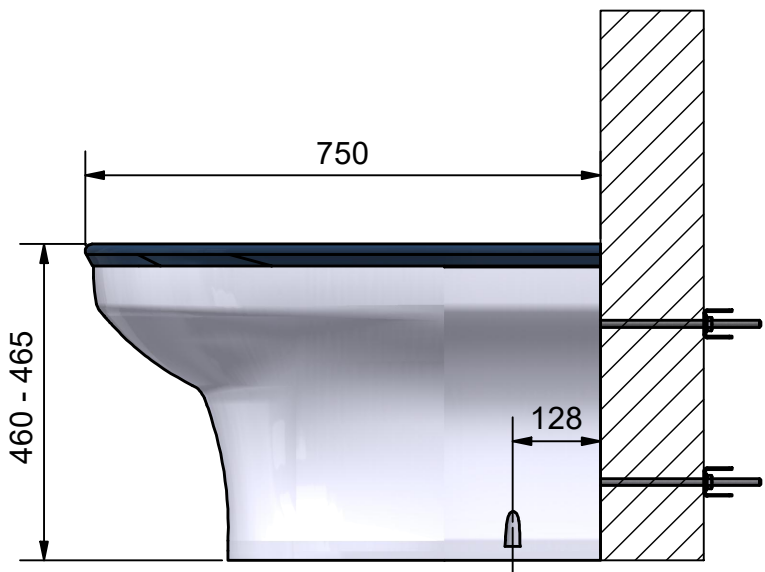
(A) WALL FIXINGS
M10 x 500mm (4off)
& CLAMP BRACKETS (2off)



FLOOR FIXINGS SUPPLIED:
S/STEEL PIN TORX BUTTON HEAD SCREW
12G x 3" WITH RAWL PLUG & CAP



FLOOR FIXINGS
REFER TO NOTE 1.



Notes:

1. Fasteners are provided for wall and floor fixing. Maximum installation strength will be achieved by fixing the pan to the wall and floor. Wall fixings include 4off M10 x 500mm long threaded studs with nuts and washers and 2off clamp brackets. Floor fixings include 2off Torx security pin screws 12G x 3" & rawl plugs and screw caps.
2. Product weight: 68kg
3. Recommended torque 17nm for tightening wall fixings
4. Apply an approved anti pick hard set mastic around the back & bottom edge of the pan to seal it to the wall & floor.

© 2020 Copyright THIS DRAWING IS THE PROPERTY OF WALLGATE LIMITED AND IS ISSUED ON THE STRICT UNDERSTANDING THAT THE INFORMATION CONTAINED WILL NOT BE REPRODUCED, COPIED OR USED WITHOUT PRIOR AGREEMENT OF WALLGATE LTD.



TITLE: ANTI LIGATURE WC PAN
WITH FIXED SEAT &
SHROUD.
Drg No: CWC-156-AST-NZ
Model/Client/Project:

MATERIAL: POLYESTER SOLID
SURFACE
FINISH: SATIN POLISH

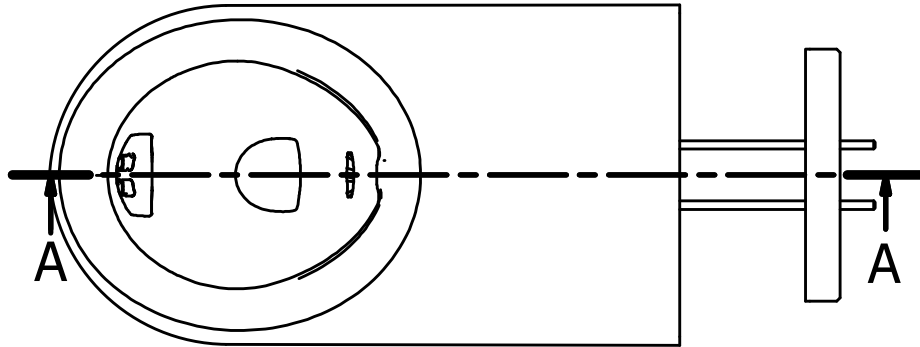
Limits: (unless stated)
± 0.25mm (sheetmetal)
± 0.10mm (machined)
± 2.00mm (pattern)
± 5.00mm (moulded)

All dimensions in mm,
All angles 90° (unless stated)
Scale: NTS
A4 3rd



REVISION HISTORY

REV	DATE	DESCRIPTION	BY	CHKD
2	09/06/2022	ECN2022-0264	BS	RD



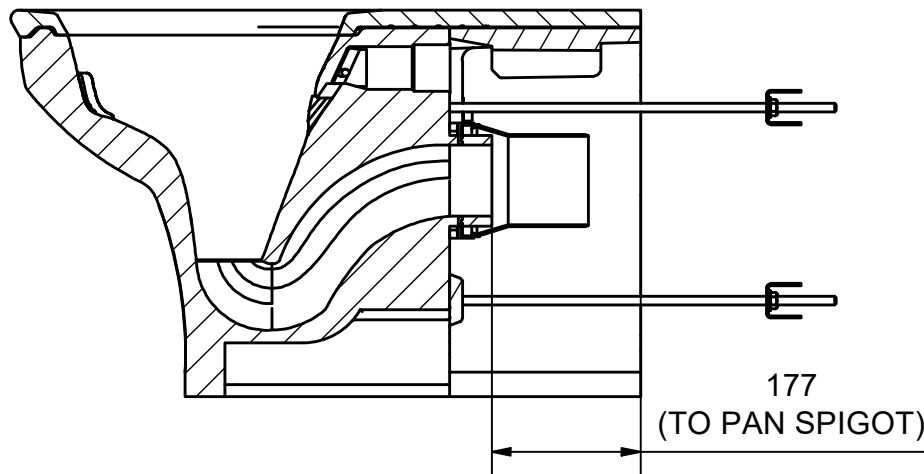
NOTES:

1. THE UPPER REAR FIXINGS & FOUR FLOOR FIXINGS WOULD BE USED WHEN A 90° WC CONNECTOR IS FITTED.

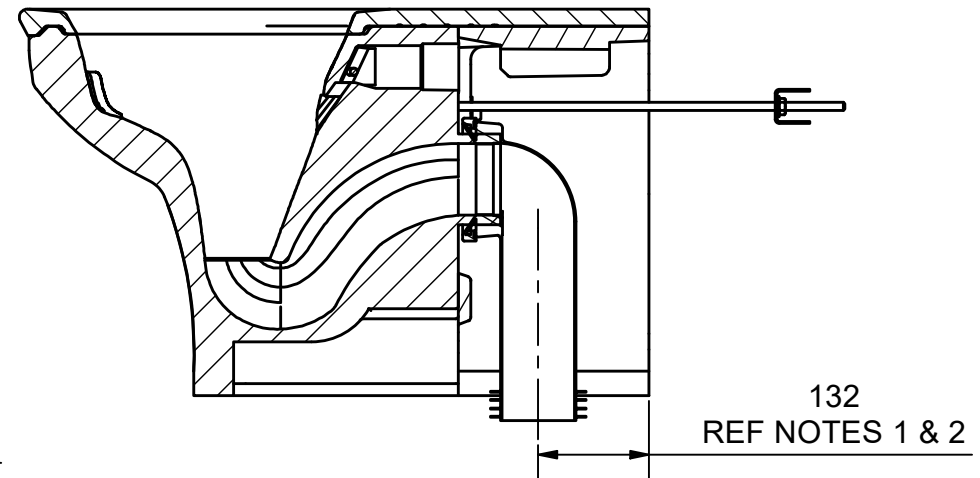
2. THE 90° WC CONNECTOR DIMENSIONS ARE BASED UPON PLASTEC 11510 PRODUCT. A STRAIGHT WC CONNECTOR OPTION WOULD BE PLASTEC 11405.

WC PAN CONNECTORS FOR WASTE ARE NOT INCLUDED, SHOWN FOR ILLUSTRATIVE PURPOSES ONLY.

A-A STRAIGHT WC CONNECTOR



A-A 90° WC CONNECTOR



© 2020 Copyright THIS DRAWING IS THE PROPERTY OF WALLGATE LIMITED AND IS ISSUED ON THE STRICT UNDERSTANDING THAT THE INFORMATION CONTAINED WILL NOT BE REPRODUCED, COPIED OR USED WITHOUT PRIOR AGREEMENT OF WALLGATE LTD.



TITLE: WASTE CONNECTOR
OPTIONS

Drg No: CWC-156-AST-NZ

Model/Client/Project:

MATERIAL: POLYESTER SOLID
SURFACE

FINISH: SATIN POLISH

Limits: (unless stated)
± 0.25mm (sheetmetal)
± 0.10mm (machined)
± 2.00mm (pattern)
± 5.00mm (moulded)

All dimensions in mm,
All angles 90° (unless stated)

Scale:

A4 3rd